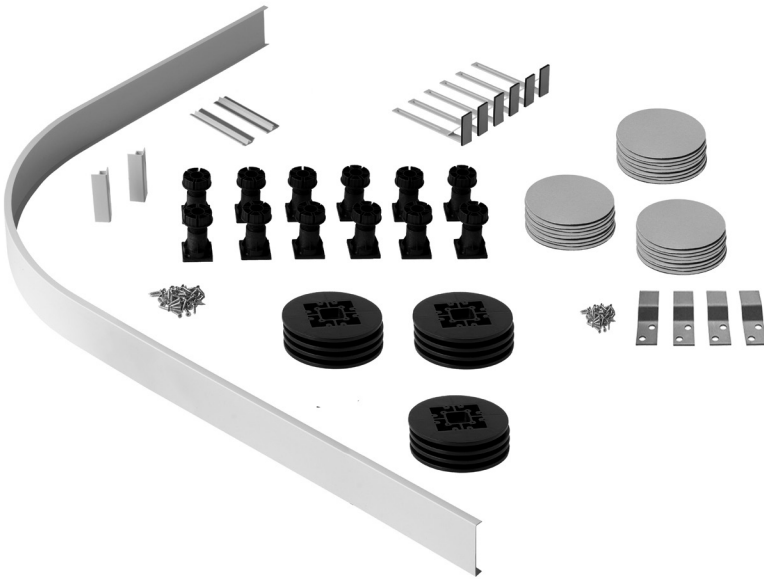


# Installation Instructions

## Panel Riser Kit

Option 4



# Before you Start

✓ Please read these instructions fully before starting. Although these instructions are comprehensive we always recommend that a technically competent installer undertake the installation.

Your Panel Riser Kit (Option 4) is intended as a basic general purpose raised installation kit and may fit a number of different shower tray sizes, quads and offset quads with a 550mm radius up to 1400x900mm for quadrant shower trays with one or more dimensions smaller than 1400mm use an option 3 panel riser kit.

**Note! This kit cannot be used on squares, rectangles and pentangle however, kit options 01 & 02 for 1200mm and 2000mm length trays are available. If in doubt on the suitability of this kit for your chosen shower tray, please contact your supplier who will be able to help you.**

! These instructions MUST be read in conjunction with any and all instructions supplied with your chosen shower tray and enclosure before starting assembly.

## Important

! Before you start, check that the panel is the desired colour / finish and is undamaged. Check the parts pack and ensure that you have all of the parts as listed. If there is a problem, please contact your supplier.

i Note! Some types of Gel coated or lightweight shower trays may require a Baseboard Accessory Kit to be used in conjunction with this kit. Please check your shower tray installation instructions or if in doubt please contact your supplier who will be able to help you.

! Make sure that you have the right tools and materials to hand with plenty of space and a clean dry area for assembly.

i **When handling your shower tray take care not to damage the bottom edges and when installing take particular care to protect the visible surfaces from impact damage or abrasions.**

## Safety Notes


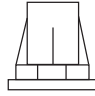
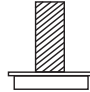
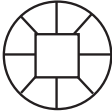

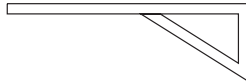
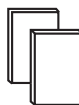
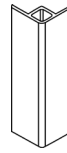

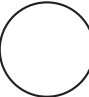
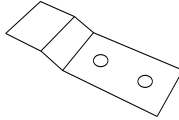

**Caution:** Care must be taken when drilling into walls or floors to avoid hidden pipes or electrical cables. **We recommend that appropriate PPE must be worn at all times.**

## Technical Help

Technical Service Line: 0845 505 2211 / 01684 293311 Open Mon–Fri 9am–5pm  
We reserve the right to change specifications or withdraw products from these instructions without prior notice.

i Dimensions are nominal and shown in millimetres unless otherwise stated.

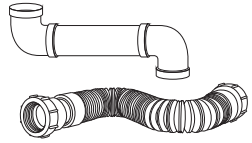
# Parts Supplied

<p>A</p>  <p>550 Radius</p> <p>Qty 1</p>	<p>B</p>  <p>Qty 12</p> <p>C</p>  <p>Qty 12</p>	<p>D</p>  <p>Qty 12</p> <p>E</p>  <p>Qty 36</p>
<p>1400x1000 mm Curved Quad Panel (Ref A)      Leg Mounting Brackets (Ref B)      Circular Base Plates (Ref D)                      Threaded Leg Tubes (Ref C)      Leg and Panel Screws (Ref E)</p>		
<p>F</p>  <p>Qty 6</p> <p>G</p>  <p>Qty 6</p>	<p>H</p>  <p>Qty 3</p> <p>I</p>  <p>Qty 2</p>	<p>J</p>  <p>Qty 12</p>
<p>Panel Upright Brackets (Ref F)      Corner/End Brackets (Ref H)      Circular Adhesive Pads (Ref J)                      Hook and Loop Pads (Ref G)      Pentangle Brackets * (Ref I)</p>		
<p>K</p>  <p>Qty 4</p>	<p>L</p>  <p>Qty 8</p>	
<p>Floor Brackets (Ref K)      Floor Bracket Screws (Ref L)</p>		

When using a Baseboard Accessory Kit items D and J are not required

Pentangle Bracket I Not Required for Quads & Offset Quads

# Tools and Materials Required (not supplied)



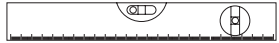
Plumbing Pipe and Fittings



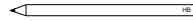
Sharp Knife



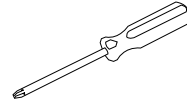
Safety Eyewear



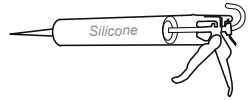
Spirit Level



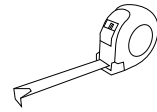
Pencil



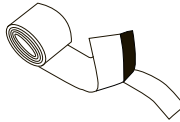
Screwdriver



Silicone Sealant



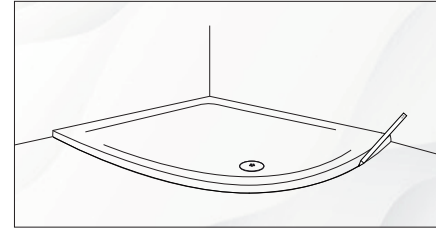
Tape Measure



Flexi Seal Strip

# Installation

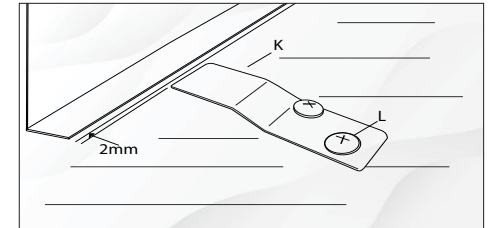
## 1 Area Preparation



Place the shower tray in position on the floor and mark the waste position and the perimeter of the tray on the floor.

**Note! Any floor area under the tray MUST be rigid and level. If not suitable it must be reinforced with ply or other suitable flooring material.**

## 2

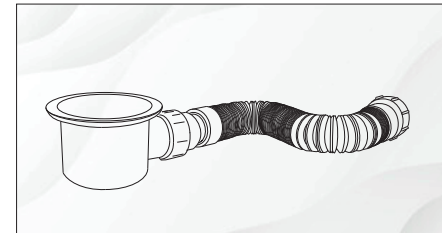


Remove the shower tray and screw the Floor Brackets K using screws L to the floor with the open end of the bracket 2mm back from the marked line, evenly spaced, parallel with the sides adjacent the intended panel access sides.

Adjust the open end of the Floor Brackets K to accept the bottom edge of the panel A

**Note! On concrete floors, discard screws L supplied, alternative fixings (not supplied) will be required.**

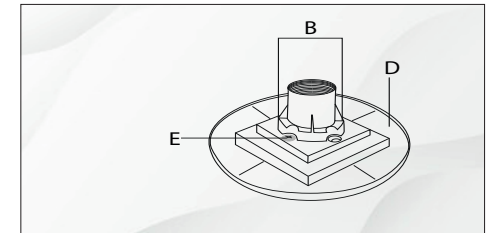
## 3



Install the pipework to correspond to the location of the waste outlet in the tray ensuring sufficient drainage angle and compliance with building regulations.

**Note! If the shower tray has fixed leg positions, run your pipework to avoid contact.**

## 4 Leg Assembly



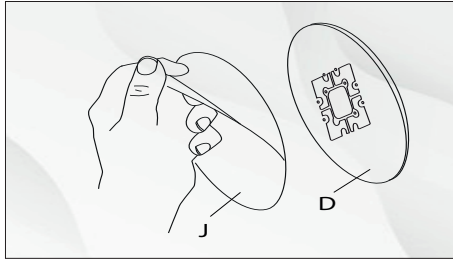
Screw all the Leg Mounting Brackets B to the upper face of the Circular Base Plates D using screws E.

**Note! If using a Baseboard Accessory Kit, do not assemble item B and D as the leg Mounting Brackets B will attach directly to the baseboards using two screws E.**

**Note!** Other tools and materials may be needed depending on the specific site requirements.

# Installation

5



Attach the Circular Adhesive Pads J to the under-side of all the Circular Base Plates D by removing the backing paper from one side ONLY of the Adhesive Pads J, centralise and push firmly into position.

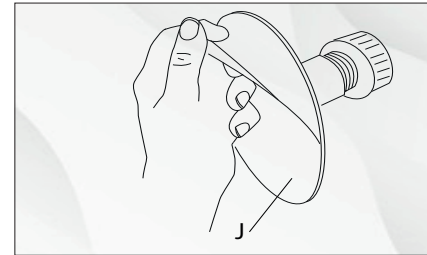
**Note: If using a baseboard accessory kit, items J & D are NOT required.**

## 6 Leg Positioning

This kit can fit a number of different types up to 1400mm with predesignated leg locations (circular blocks), flat cast central area or a lightweight continuous flat plastic base. Consequently, stages 7, 8 & 10 are intended for general guidance for shower trays without predesignated leg locations.

**Note! Gel coated or shower trays with a lightweight continuous flat plastic base require the use of a baseboard accessory kit in conjunction with this panel riser kit.**

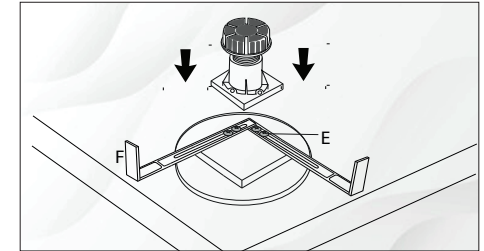
9



Once an evenly supported layout plan has been achieved, ensure the base of the tray is clean and free from dust and other contaminants, then remove the remaining backing paper from the Adhesive Pads J on the leg assemblies D and attach all the assemblies permanently into position.

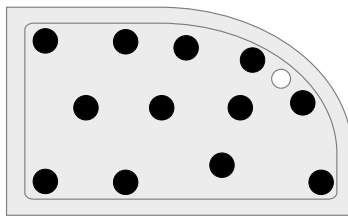
**Note! If using a Baseboard Accessory Kit, affix item B directly to boards using screws E.**

10



With the leg assemblies adjacent on corners, the panel upright brackets F can be overlapped at the rear when fitting to maintain the 5mm gap from the edge of the tray as shown at stage 8.

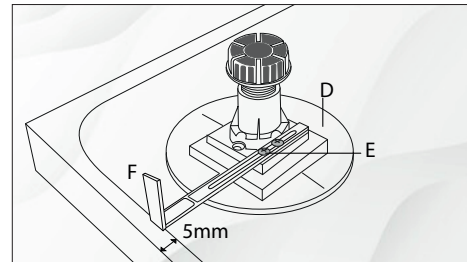
7



With your shower tray upside down, position all (**DO NOT PERMANENTLY FIX AT THIS STAGE**) the leg assemblies to form an evenly supported structure. Wherever possible use the full number of leg assemblies available for maximum support.

**Note! The patterns and the number of legs shown are without predesignated leg locations.**

8

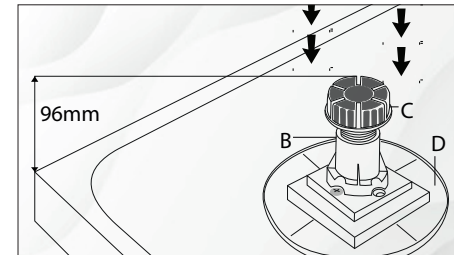


Attach the Panel Upright Brackets F using two screws E to the Circular Base Plate assemblies D that are located on the panel access sides of the tray only.

Ensure the Panel Upright Brackets F are attached in-line with the panel sides with the edge of the leg assembly D no greater than 80mm from the edge of the tray.

**Note! If using a Baseboard Accessory Kit, items D and J are not required. Affix F directly to boards using screws E.**

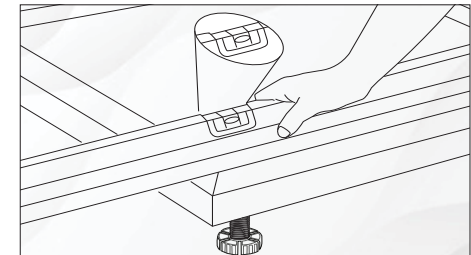
11



Screw all the Threaded Leg Tubes C into the Leg Mounting Brackets B on the assemblies D to achieve a nominal 96mm from the bottom edge of the shower tray to the base of Threaded Leg Tubes C.

**Note! With the Full Size Universal Curved Quad Panel, it is advised for ease of access to measure and trim item A at this stage with the shower tray fully accessible. See panel trimming and assembly.**

12



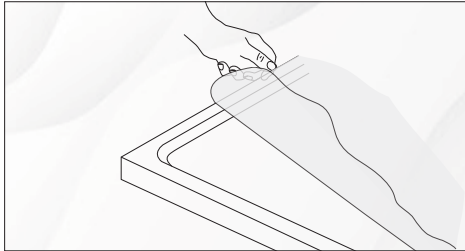
With the shower tray in position, level ensuring that the bubble of glass is in the centre of the marked area.

Adjust the Threaded Leg Tubes C as required maintaining a gap not less than 96mm between the bottom edge of tray and the floor.

**Note! The marked outer line at stage 2 must be in-line with the edge of the tray for the floor brackets K to accept the panels A.**

# Installation

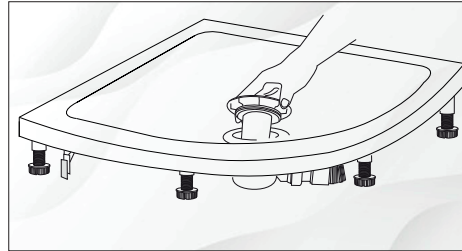
13



**Note! Some shower trays have a protective film (indicated by a label on the surface) which must now be removed. Undertake a final inspection of the shower tray at this stage. DO NOT PROCEED IF NOT SATISFIED.**

If fitting the optional (not supplied) Flexi Seal Strip, (Flat top shower trays only) follow the instructions supplied with this item at this stage.

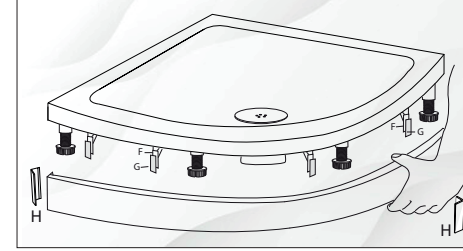
14



Attach the Waste Outlet to the shower tray using silicone between all mating surfaces. The shower tray and all connections **MUST** now be checked for water tightness flow and adequate drainage over the entire area. **DO NOT PROCEED IF NOT SATISFIED.**

**Note! You MUST check that all the legs are fully in contact with a rigid floor at this stage. DO NOT PROCEED IF LEGS ARE NOT CORRECT.**

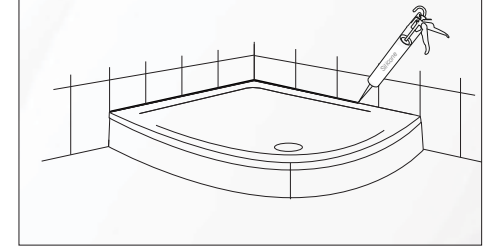
16 Panel Installation



Remove one side of the self-adhesive backing paper of the Hook & Loop Pads G and attach to the upright brackets F

Test fit assembled panel from stage 15 by attaching/sliding into Floor Brackets K in situ. If correct, detach and remove the remaining adhesive backing paper of the hook and loop pads G then reassemble by pushing into position.

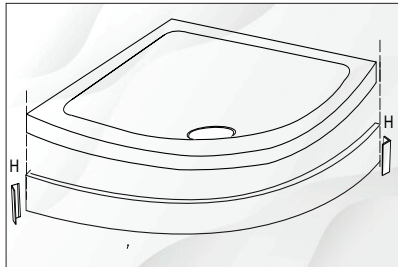
17



**Note! Once the shower tray and panel assembly are correctly in place, take care not to damage the surfaces or panel of the tray. Weight the shower tray down and seal along the edge of the tray using a neutral cure silicone.**

Fit your chosen enclosure in accordance with the installation instructions supplied with the screen.

## 15 Panel Trimming and Assembly



### Quad and offset quad trays:

Carefully centralise the curved panel A in the centre of the curve of the shower tray and cut both ends to fit remaining area

Attach Corner/End Brackets H by removing the coloured adhesive backing paper and attach to the ends of the panel.

- Q **I am not sure if this is the correct kit for my shower tray.**
- A Contact your supplier of the shower tray who will be able to assist you.
- Q **I have a Gel Coated Stone Resin type shower tray and the instructions state it MUST be installed on sand and cement only, can an easy plumb kit be used?**
- A Yes a Panel Riser Kit can be used but contact your supplier as an Baseboard Accessory Pack **MUST** be used for this type of shower tray in addition to this kit.
- Q **Can I lower or raise the legs to give a gap smaller or bigger than 96mm under the shower tray.**
- A The legs can be adjusted nominally from 75mm to 113mm. However, the panels are 95mm high without using an alternative and the waste unit requires a minimum gap of 80mm to fit without reassessing into the floor.
- Q **Can I cut an equal amount off each end of the panel for it to fit?**
- A No. the panel is a universal type and the curve **must** be centralised to the curve of the shower tray before trimming the unequal ends to fit the tray.
- Q **Can I remove the panels at a later date?**
- A Yes the panel assembly is designed to enable ease of removal to inspect the plumbing or to adjust the feet if required.
- Q **The shower tray itself feels flexible when installed in a raised option.**
- A You may need a Baseboard Accessory Kit in addition to this kit for your chosen shower tray.



- Q **A baseboard accessory kit has been used but the installed shower tray assembly moves.**
- A Check that floor under the tray is rigid and level, also check that you have installed all the available legs forming an evenly supported structure and that all the legs are fully in contact with the floor.
- Q **I have a lightweight continuous flat plastic base type of shower tray, can the easy plumb kit be used?**
- A Yes, a Panel Riser Kit can be used but contact your supplier as a Baseboard Accessory Kit **MUST** be used for this type of shower tray in addition to this kit.
- Q **How do I keep the shower tray panel clean?**
- A Simply follow the care and guidance shown in your chosen shower tray installation instructions.

