

# Installation Instructions

## Baseboard Accessory Kit



# Before you Start

✔ Please read these instructions fully before starting. Although these instructions are comprehensive we always recommend that a technically competent installer undertake the installation.

Your Baseboard Accessory Kit **MUST** be used with a Panel Riser Kit applicable to the shower tray and may fit a number of different shower tray sizes, shapes and types, as a consequence the instructions **MUST** be read in conjunction with any and all instructions supplied with your chosen shower tray and Panel Riser Kits.

**Note!** If in doubt on the suitability of this kit or Panel Riser Kit for your chosen shower tray, please contact your supplier who will be able to help you.

This kit fits an area of shower tray up to 2000mm in length and is intended for use on Gel coated or lightweight trays.

## ! Important

Before you start, check the pack and ensure that you have all of the parts listed. If there is a problem please contact your supplier.

**Make sure that you have the right tools and materials to hand with plenty of space and a clean dry area for assembly.**

**When handling your shower tray take care not to damage the bottom edges and when installing take particular care to protect the visible surfaces from impact damage or abrasions.**

## ! Safety Notes

**Caution:** Care **MUST** always be taken to avoid injury when using sharp edged tools. When using power tools particular caution **MUST** be taken to avoid injury and when drilling into walls or floors to avoid hidden pipes or electrical cables.

**We recommend that appropriate PPE must be worn at all times.**



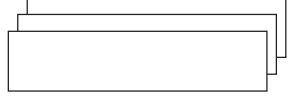
## i Technical Help

Technical Service Line: 0845 505 2211 / 01684 293311 Open Mon–Fri 9am–5pm

We reserve the right to change specifications or withdraw products from these instructions without prior notice.

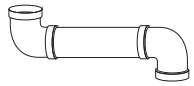
i Dimensions are nominal and shown in millimetres unless otherwise stated.

# Parts Supplied

A	B	C
		
Qty 3	Qty 1	Qty 3
Compound Adhesive	1220 x 305mm Board with Waste Hole	1220 x 305mm Baseboards

# Tools and Materials Required (not supplied)

# Installation



Additional Plumbing Fittings



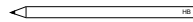
Sharp Knife



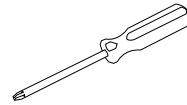
Safety Eyewear



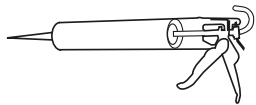
Spirit Level



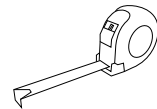
Pencil



Screwdriver



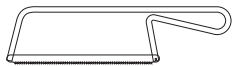
Sealant Gun  
(Suitable for 380ml Cartridges)



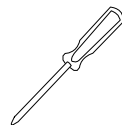
Tape Measure



Jigsaw



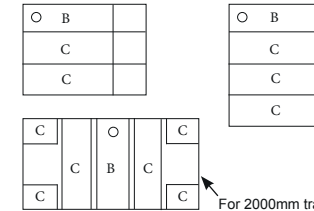
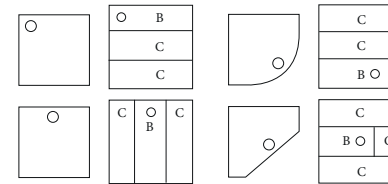
Hack Saw



Bradle

**Note!** Other tools and materials may be needed depending on the specific site requirements.

## 1 Baseboard Trimming and Fitting



The Baseboard system may be used on a wide number of different types, sizes and shapes of shower trays in addition to that illustrated having a central underside area that is level and not less than 15mm differential in height to the outer walls.

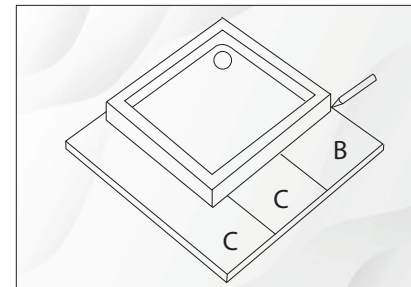
**Note! Please make reference to the shower tray manufacturer's instructions.**

to the upturned shower tray with the baseboard containing the waste hole B orientated to located with waste outlet on the tray by cutting baseboards B or C as required. Baseboards B and or C may require cutting to locate space as shown in illustration for some larger sizes/shapes of shower tray up to: 2000mm

**Note! The size and position of the waste outlet will vary to that illustrated depending on the type and shape of shower tray.**

On a clear area of floor lay the baseboards C on

## 2

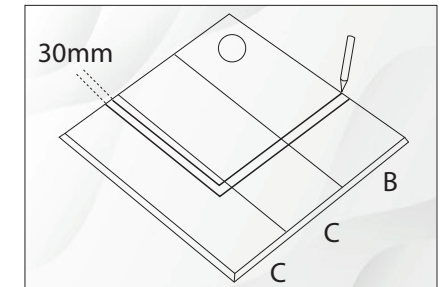


When satisfied remove the baseboards from the tray onto a flat surface in the same pattern as determined in step 1. Place the shower tray upright on top with the waste outlet locating with the centre of baseboard B. Mark the edges of the tray onto the baseboards B and C with a pencil on all sides.

**Note: Take care not to mark the shower tray itself.**

**Note! The baseboards will fit upto a length of 2000mm, a gap is normally seen at each end.**

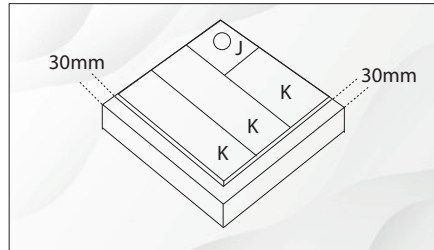
## 3



With the edges of the tray clearly marked on the baseboards, remove the shower tray and then mark a second line 30mm in from the original line.

**Note! It is only necessary to mark 30mm back on the sides to be fitted with panels (see Panel Riser Kit instruction).**

4



With the shower tray put to one side and protected from damage, check again that all lines are correct and that the baseboards are orientated correctly. Carefully cut the baseboards using a jigsaw along the second line 30mm back from the outer line.

Place the shower tray upside down, dry fit the cut baseboards B and C to the underside of the tray to ensure correct fitting and access of the waste outlet (not supplied). Make adjustments if required.

6

Once a close-fitting baseboard assembly has been achieved with the adhesive dried sufficiently to permit further installation (Note! Do not proceed if adhesive is not dry), please carefully read and follow the instructions supplied with your chosen Panel Riser Kit.

5

When satisfied prepare the adhesive tubes (A) by carefully trimming the end of each nozzle to widen the hole to approximately 5mm. Then force a bridge or similar shaped metal tool through the end of the nozzle into the tube to release the adhesive. Insert the adhesive cartridge into a skeleton gun (or suitable dispenser accepting 380ml cartridges) and apply the adhesive as a minimum 5mm bead, in horizontal lines either on the contact points of the board or the shower tray itself (do not use sporadic blobs) at a maximum width of 25mm centres, over the area ensuring an even contact.

Note! On some types of shower trays with exceptionally uneven, scalloped, or rough surfaces, additional adhesive may be required – this may be purchased from your supplier.

Press the mating faces firmly together (weight down if necessary) ensuring that no gap exists between the two surfaces being bonded.

Note! A tack bond should be achieved in good conditions of approximately 20 – 30 minutes to enable installation however, for best results please leave overnight.

Fit / assemble the legs / panels in accordance with the Panel Riser Kit installation instructions.

**Q I am not sure this is the correct kit for my shower tray.**

A Contact your supplier of the shower tray who will be able to assist you.

**Q I have a Gel Coated Stone Resin type shower tray and the instructions state it MUST be installed on sand and cement only, can a baseboard accessory kit with its adhesive be used?**

A Yes, however, ensure a close fit is achieved.

**Q I have a lightweight continuous flat plastic base type of shower tray, can the baseboard accessory kit be used?**

A Yes, a Baseboard Accessory Kit is strongly recommended for use with this type of shower tray.

**Q I have stuck the leg assemblies to the baseboards but cannot lower it sufficiently to enable the side panel to fit.**

A Items (D) and (J) from your Panel Riser Kit are not required when using the Baseboard Accessory Kit and Leg Mounting Brackets (B) are screwed directly to Baseboards using two screws (E) each, this will enable sufficient adjustment in height.

**Q The Baseboards spring off the surface of the tray and will not stick down.**

A Firstly ensure that a close fit was achieved at stage 5 between the surface of the shower tray and the baseboards. Secondly, if a close fit was achieved ensure that the adhesive is fully dry before full installation of the tray. Finally, weigh the shower tray down if necessary during the adhesive drying process.

**Q The shower tray moves on the sides and the silicone around the edges fails.**

A Check that the legs are correctly adjusted, remove the silicone and weigh down the shower tray then reseal with a good quality neutral cure silicone or for best results one of the new advanced hybrid adhesive sealants.

**Q A Baseboard Accessory Kit has been used but the installed shower tray assembly moves.**

A Check that the floor under the tray is rigid and level, also check that you have installed all the available legs forming an evenly supported structure and that all the legs are fully in contact with the floor.